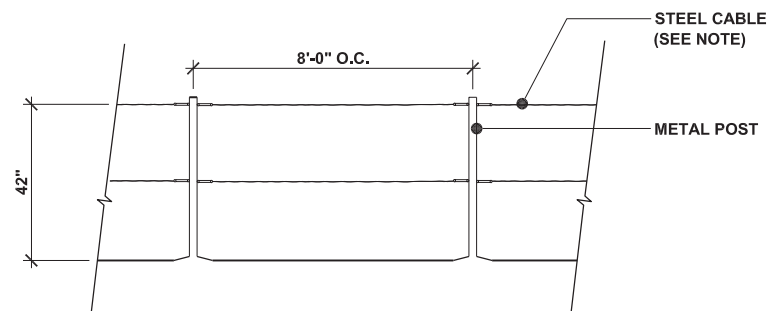


BLOCK WALL

NOTE: Detailed materials and finish for block walls will be shown on future Site Development Plans submitted for City approval. Wall materials may include split-face block, slumped block, precision or burnished block, special Orco, Angeles, or similar architectural series block, or similar types of block or brick. Walls, caps, columns, and pilasters may be left natural or finished with slurry, stucco, rock, or other type of veneer.



OPEN SPACE FENCE

NOTE: Detailed materials and finish for open space fence may include round or square tubular steel or aluminum posts and stainless or other similar cable. Finish may be galvanized, anodized, hard coat, neutral painted, Cor-Ten, and/or other durable metal finish.